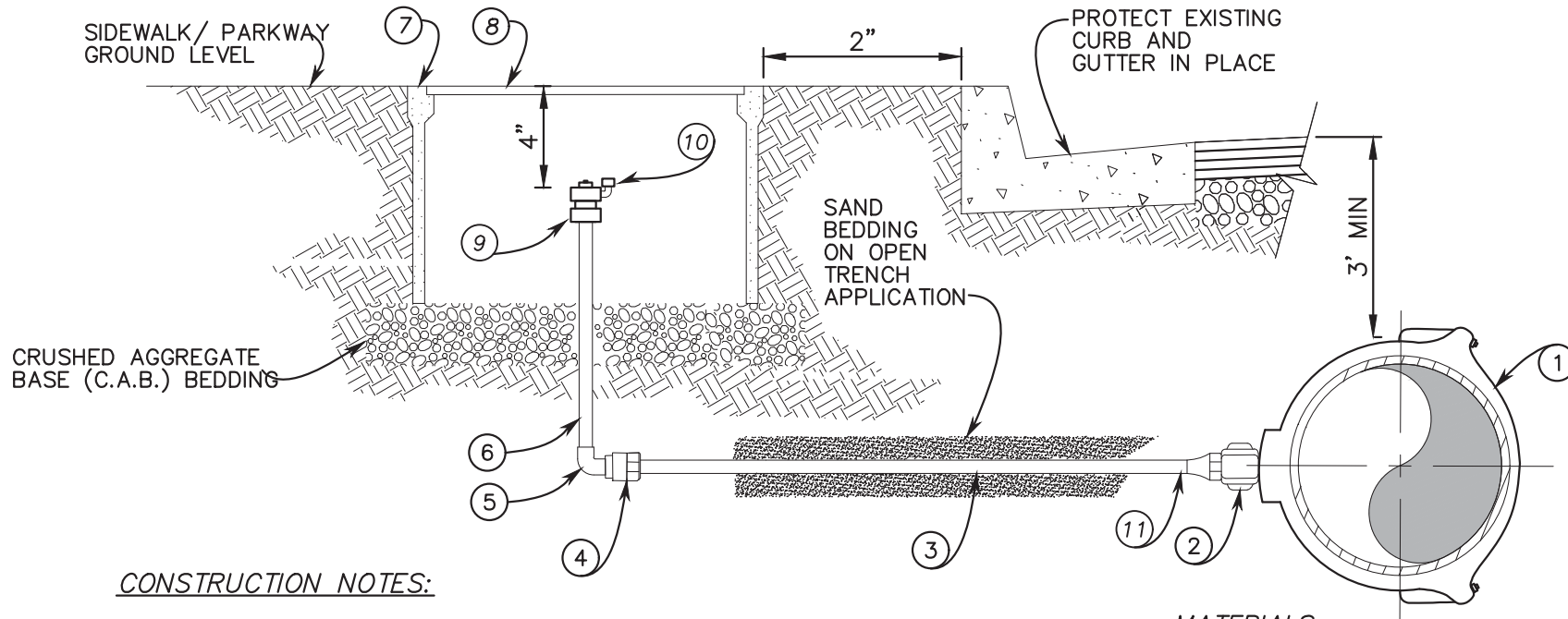


NOT TO SCALE



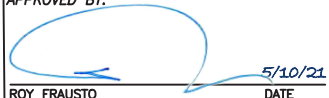
CONSTRUCTION NOTES:

1. SERVICE SADDLE SHALL NOT BE INSTALLED WITHIN 24" OF VALVE, COUPLING, JOINT OR FITTING. TAPPED COUPLINGS ARE NOT PERMITTED.
2. INSTALL CORPORATION STOP IN OPEN POSITION.
3. THE WATER SERVICE SHALL EXTEND PERPENDICULAR TO THE CENTERLINE OF THE STREET FROM THE WATERMAIN TO THE ANGLE STOP.
4. METER BOXES SHALL BE SET 2" FROM THE BACK OF CURB.
5. METER BOX AND LID SHALL BE FURNISHED BY CONTRACTOR.
6. INSTALL #12 GAUGE TRACER WIRE ALONG WITH ALL PEX TUBING.

MATERIALS

ITEM NO.	SIZE & DESCRIPTION	MANUFACTURER	SPEC. NO.
①	DOUBLE STRAP BRONZE SERVICE SADDLE 2" M.I.P. OUTLET	JONES MUELLER	J-979 EQUAL
②	2" BRONZE CORPORATION VALVE BALL TYPE M.I.P. x CTS	JONES MUELLER	E-1935SG EQUAL
③	2 "PURPLE" PEX TUBING	MUNICIPEX	SDR9 (CTS)
④	2" CTS X M.I.P. BRASS ADAPTER	JONES MUELLER	E-2605SG EQUAL
⑤	2" BRASS F.I.P. X F.I.P. ELBOW		(LENGTH VARIES)
⑥	2" BRASS M.I.P. X M.I.P. NIPPLE		(LENGTH VARIES)
⑦	METER BOX	ARMORCAST	A6001946PC12
⑧	METER LID & COVER	ARMORCAST	A6001866DW & A6000481D
⑨	BLOW-OFF BALL VALVE	JONES MUELLER	E-1998 EQUAL
⑩	2" BRASS SCREWED PLUG WITH M.I.P. THREAD		
⑪	2" CTS PIPE INSERT	JONES MUELLER	J-2808 M528705

2-INCH RECYCLED BLOW-OFF ASSEMBLY

APPROVED BY:

 ROY FRAUSTO
 GENERAL MANAGER
 5/10/21
 DATE



DRAWING #
W-3R
 REVISION DATE:
 MAY
 2021

LA PUENTE VALLEY
 COUNTY WATER DISTRICT

2" RECYCLED
 BLOW-OFF ASSEMBLY

1
 OF 1