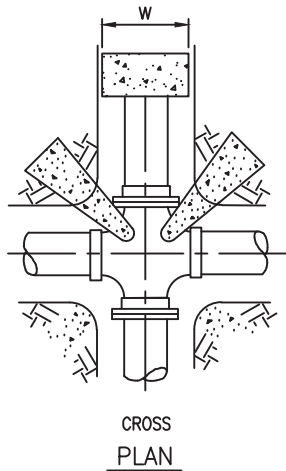
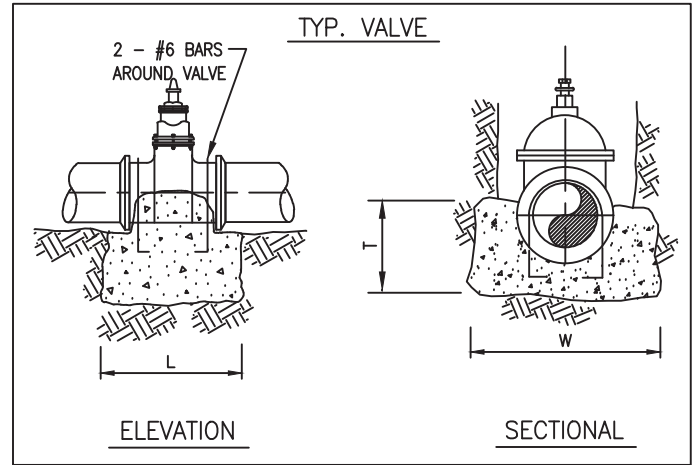
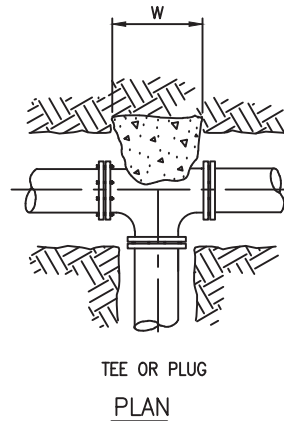
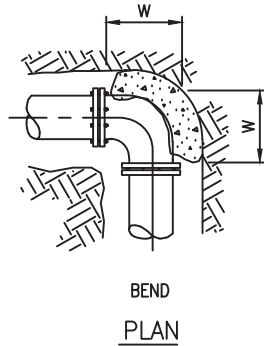
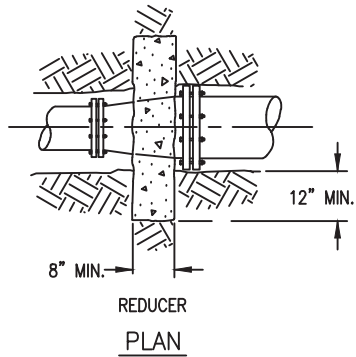


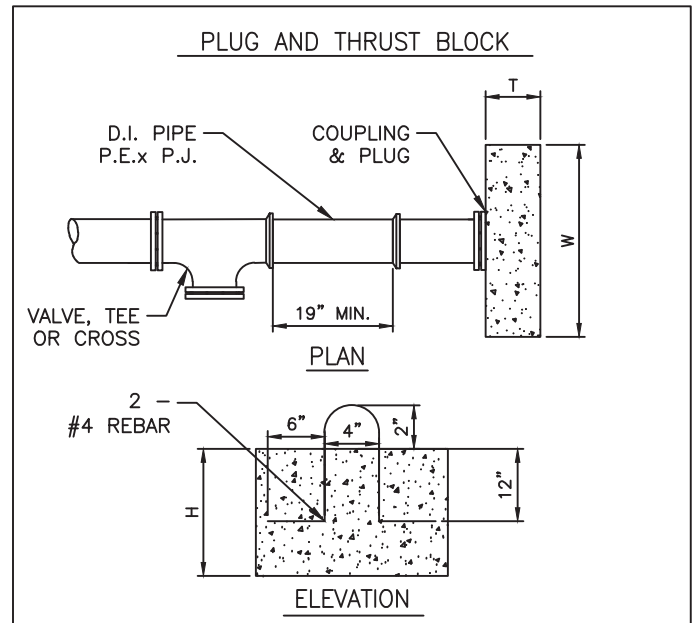
NOT TO SCALE



VALVE AND PIPE SIZE	(L) LENGTH	(W) WIDTH	(T) THICKNESS
6"	2'	2'-0"	12"
8"	3'	2'-2"	14"
10"	3'	2'-4"	14"
12"	4'	2'-6"	15"
14"	5'	3'-0"	20"
16"	6'	3'-6"	24"

NOTES:

1. THRUST BLOCKS MUST BEAR ON UNDISTURBED SOIL.
2. CONCRETE FOR THRUST & ANCHOR BLOCKS SHALL BE OF CLASS 480-C-2000 IN ACCORDANCE WITH S.S.P.W.C. IT SHALL BE POURED (12" THICK MIN.) AGAINST UNDISTURBED SOIL. P.C.C. SHALL BE KEPT CLEAR OF PIPE & BELL OF THE FITTINGS.
3. WHEN MECHANICAL JOINTS ARE UTILIZED, SET FORMS TO SEPARATE BOLTS FROM P.C.C. TO ASSURE ACCESS TO BOLTS & JOINTS.
4. TEST PRESSURE IN THE PIPE SHALL BE 150 PSI.



CONCRETE THRUST BLOCK DETAIL
NOT TO SCALE

APPROVED BY:

ROY FRAUSTO
GENERAL MANAGER
5/10/21
DATE



DRAWING #
W-7
REVISION DATE:
MAY
2021

LA PUENTE VALLEY
COUNTY WATER DISTRICT

CONCRETE THRUST
BLOCKS